

VideoMic GO

Lightweight On-Camera Microphone

AUSTRALIA
107 Carnarvon st, Silverwater NSW 2128 Australia
Ph: +61 2 9648 5855 Fx: +61 2 9648 2455

USA
PO Box 91028, Long Beach CA 90809-1028
Ph: +1 562 364 7400 Fax: +1 888 412 4664

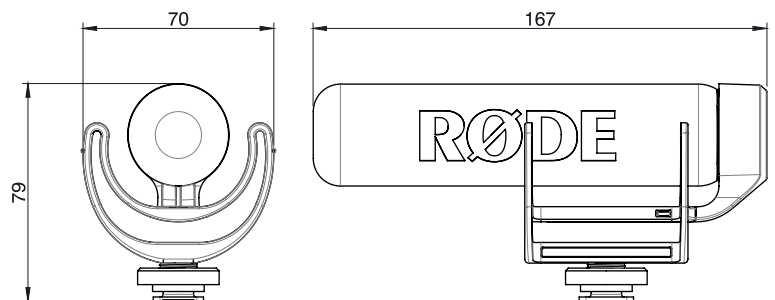


Specifications

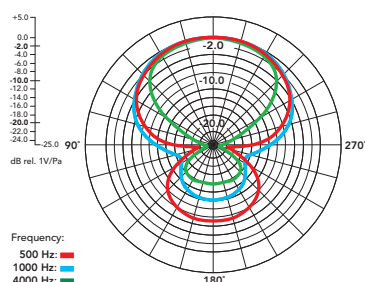
Acoustic Principle	Line Gradient
Directional Pattern	Super-Cardioid
Frequency Range	100Hz ~ 16,000Hz
Sensitivity	-35dB re 1V/Pa (17.8V @ 94dB SPL) ± 2 dB @ 1kHz
Equivalent Noise	34dBA SPL (A - weighted per IEC651)
Signal/Noise	60dB SPL (A - weighted per IEC651)
Dynamic Range	96dB (per IEC651)
Dimensions	167mm L x 79mm H x 70mm D
Maximum SPL	120dB (@ 1kHz, 1% THD into 1k Ω load)
Weight	73gm
Power Req.	Plug-in power required (330uA @ 2.5V)
Output Connection	3.5mm TRS mini-jack (dual mono)

Features

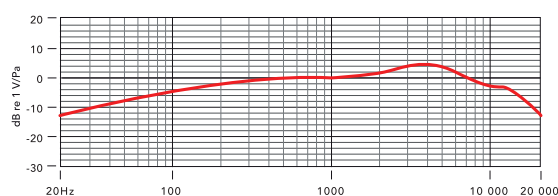
- High quality directional microphone
- No battery required (powered by camera plug-in power - min 2.5V)
- Integrated Rycote® Lyre® shock mounting
- Only 73gm (2.5oz)
- Rugged reinforced ABS construction
- Windshield included
- 3.5mm mini-jack output (20cm cable included, extendable to 35cm)
- Integrated cold-shoe mount with 3/8" thread
- Designed and manufactured in Australia
- Two year warranty



Polar pattern



Frequency response



RØDE
MICROPHONES